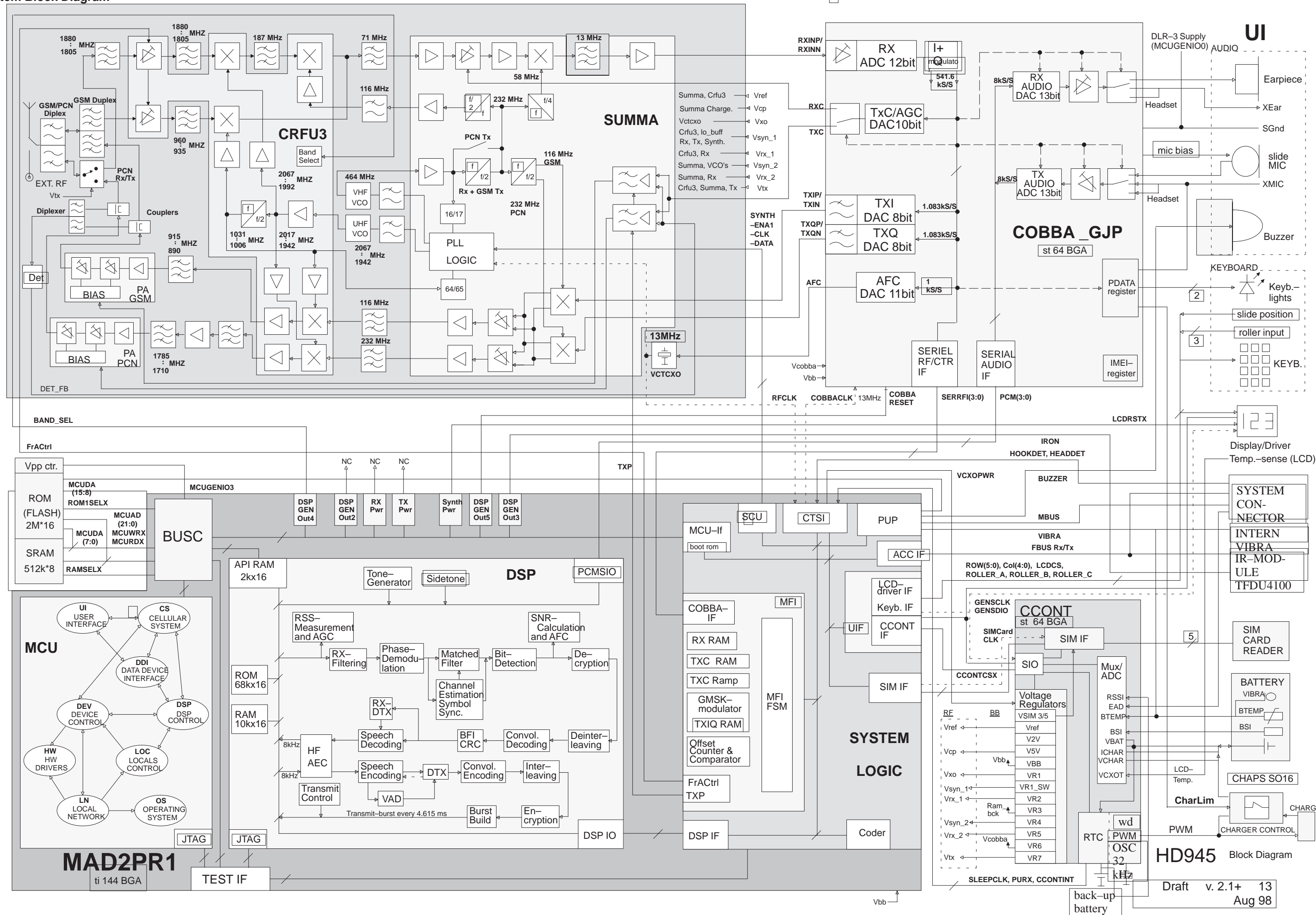


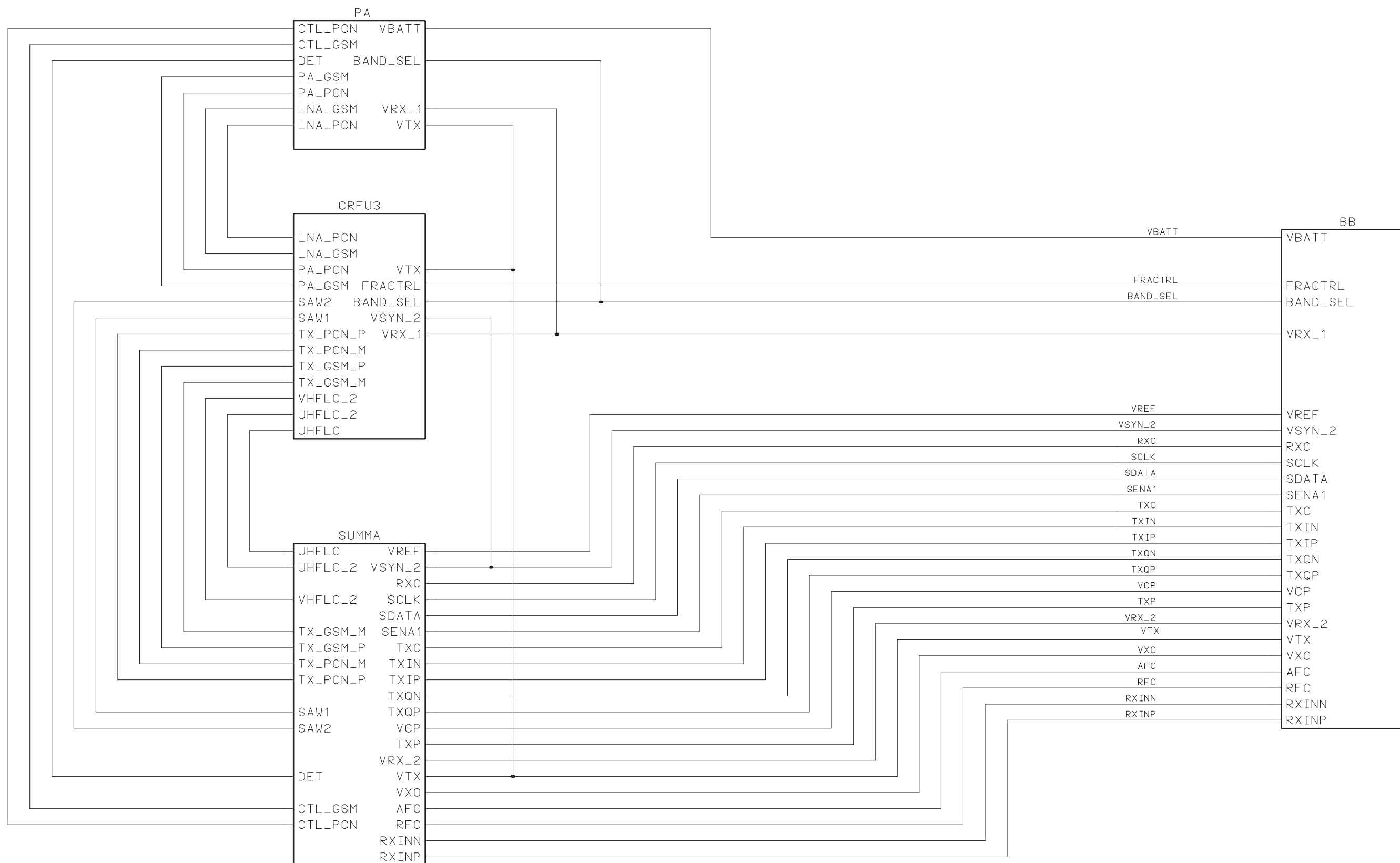
System Block Diagram

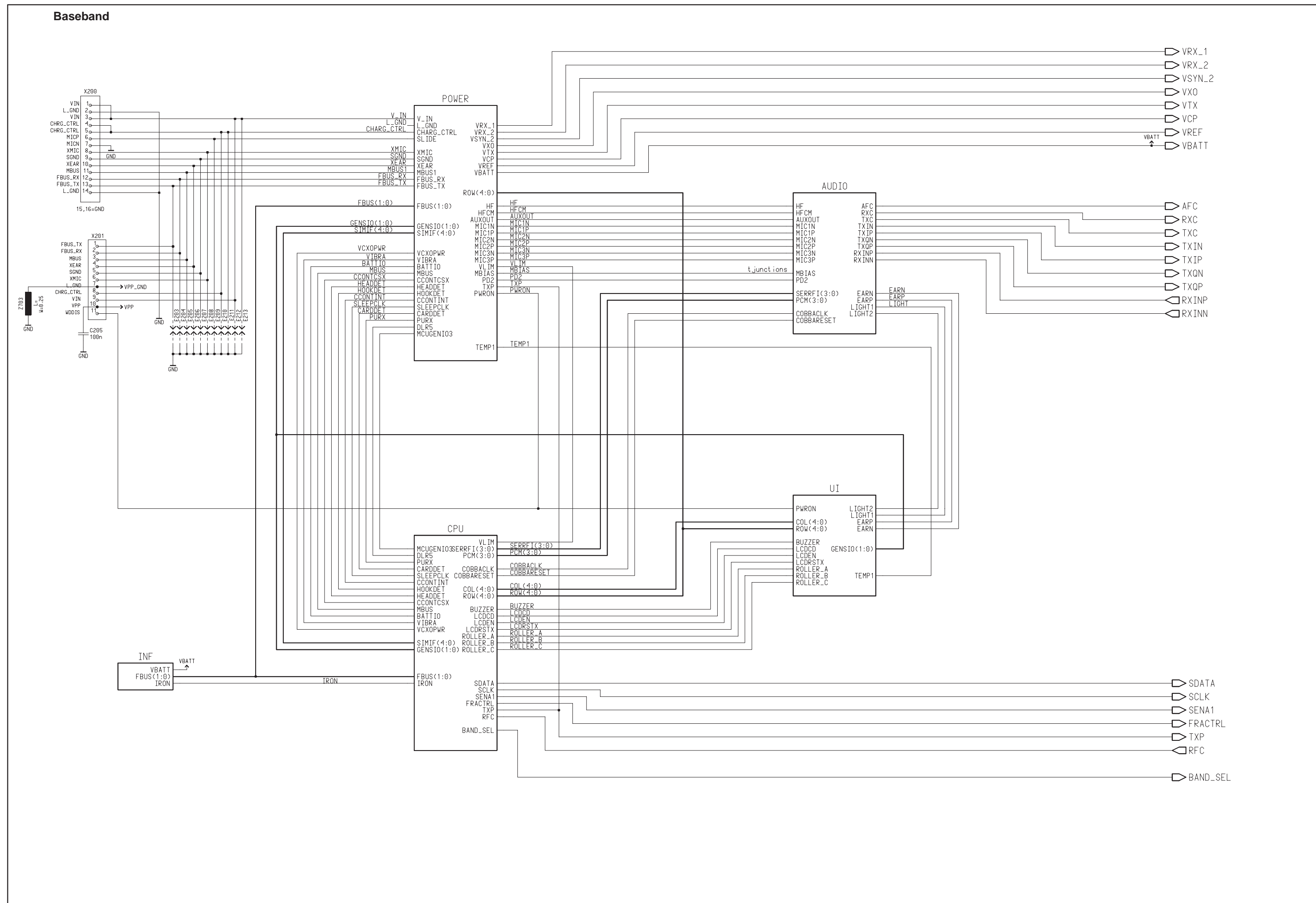


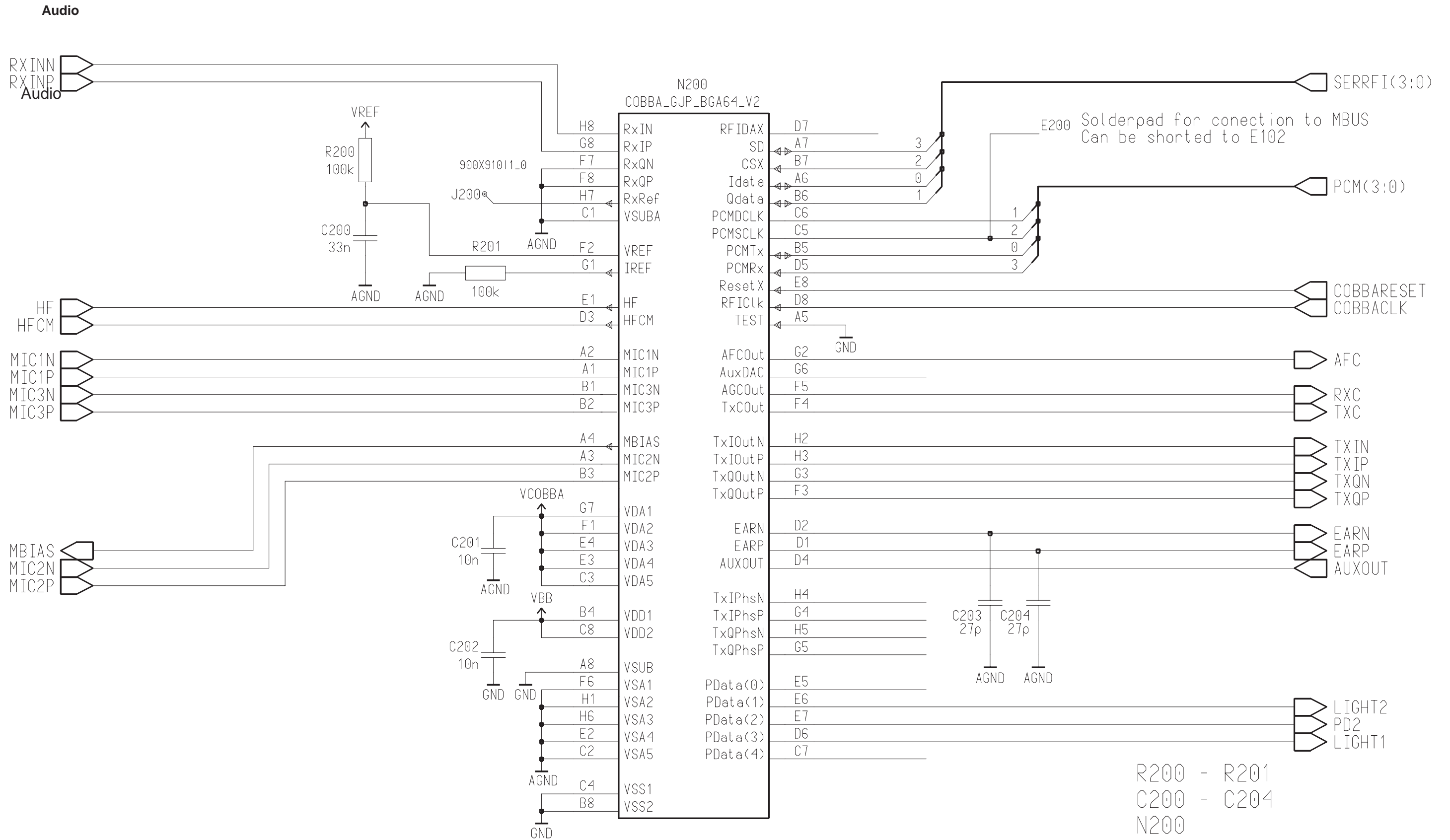
HD945 Block Diagram

Draft v. 2.1+ 13 Aug 98

RF/BB interconnections

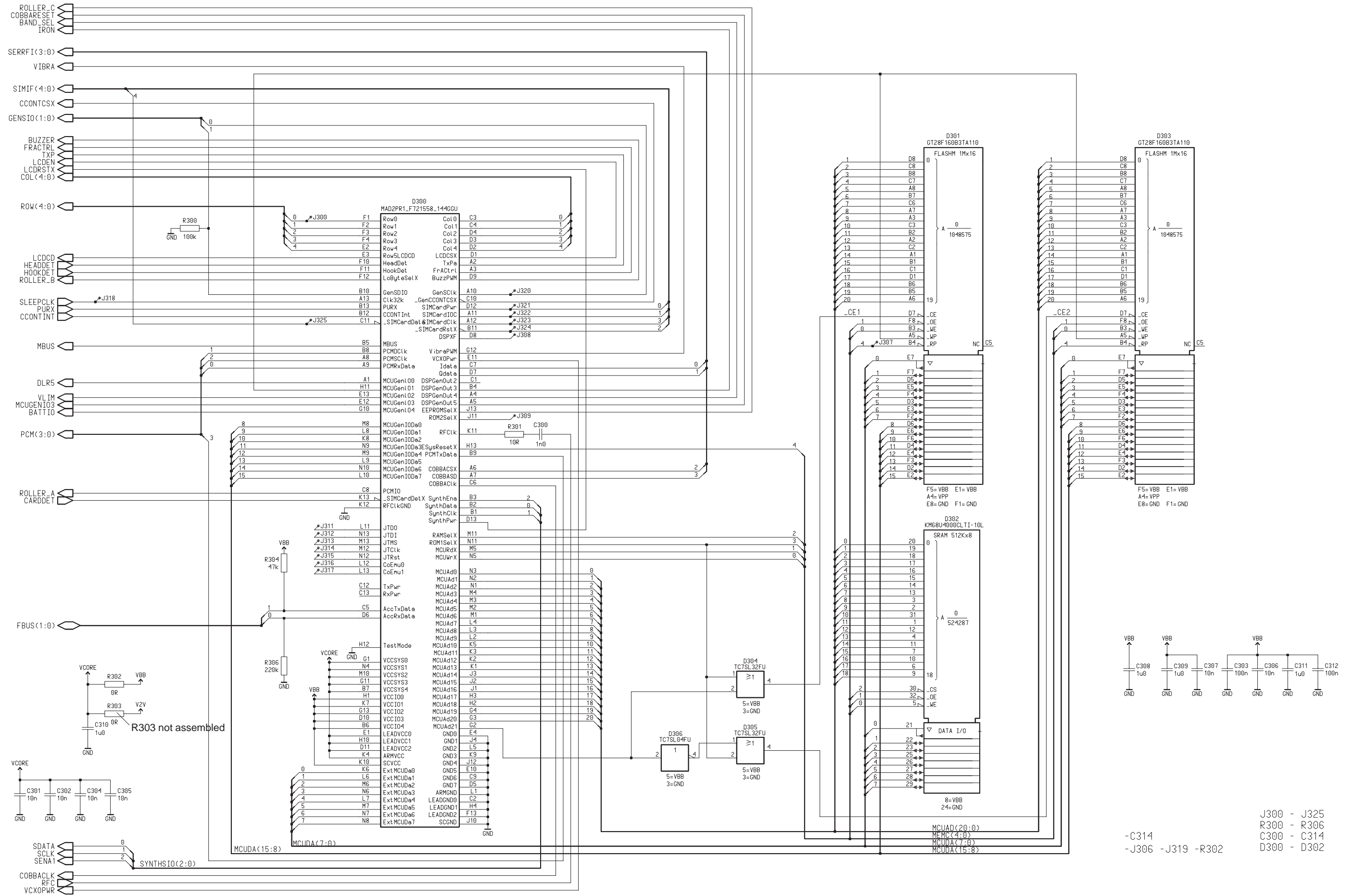






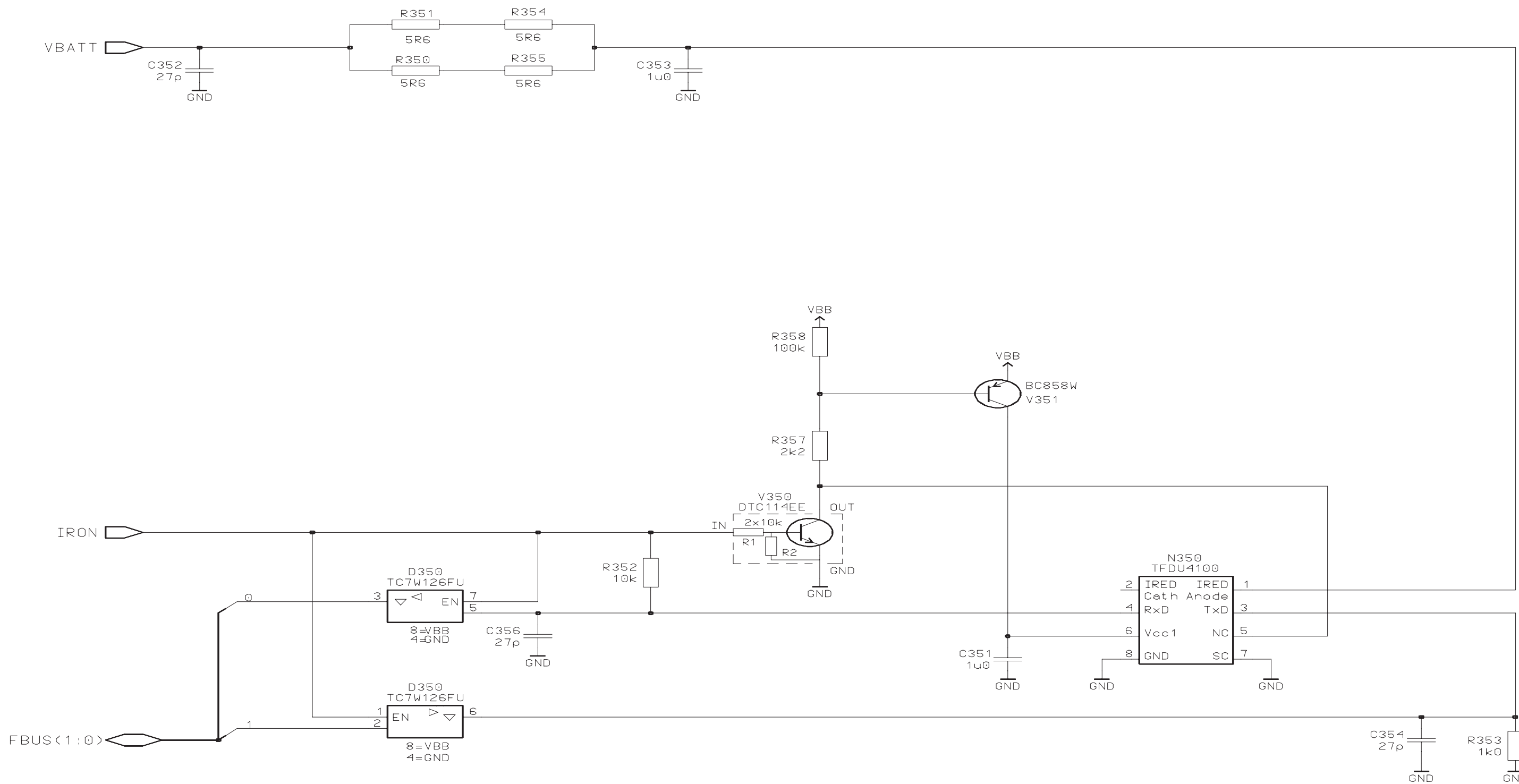
- R200 - R201
- C200 - C204
- N200
- J200
- E200
- (E201 - E213)
- (X200 - X201)

CPU

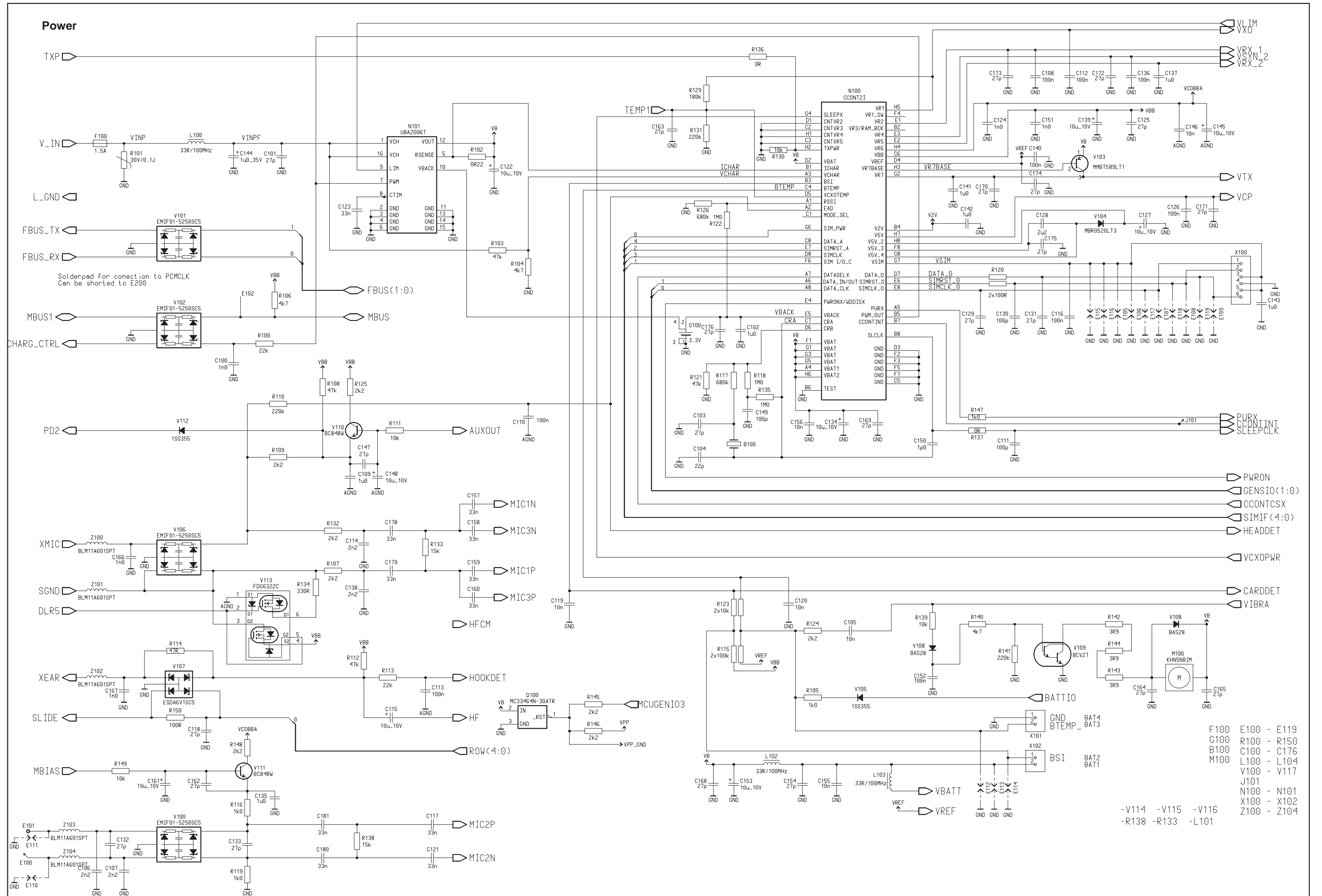


- J300 - J325
- R300 - R306
- C300 - C314
- D300 - D302
- C314
- J306 -J319 -R302

Infrared Module

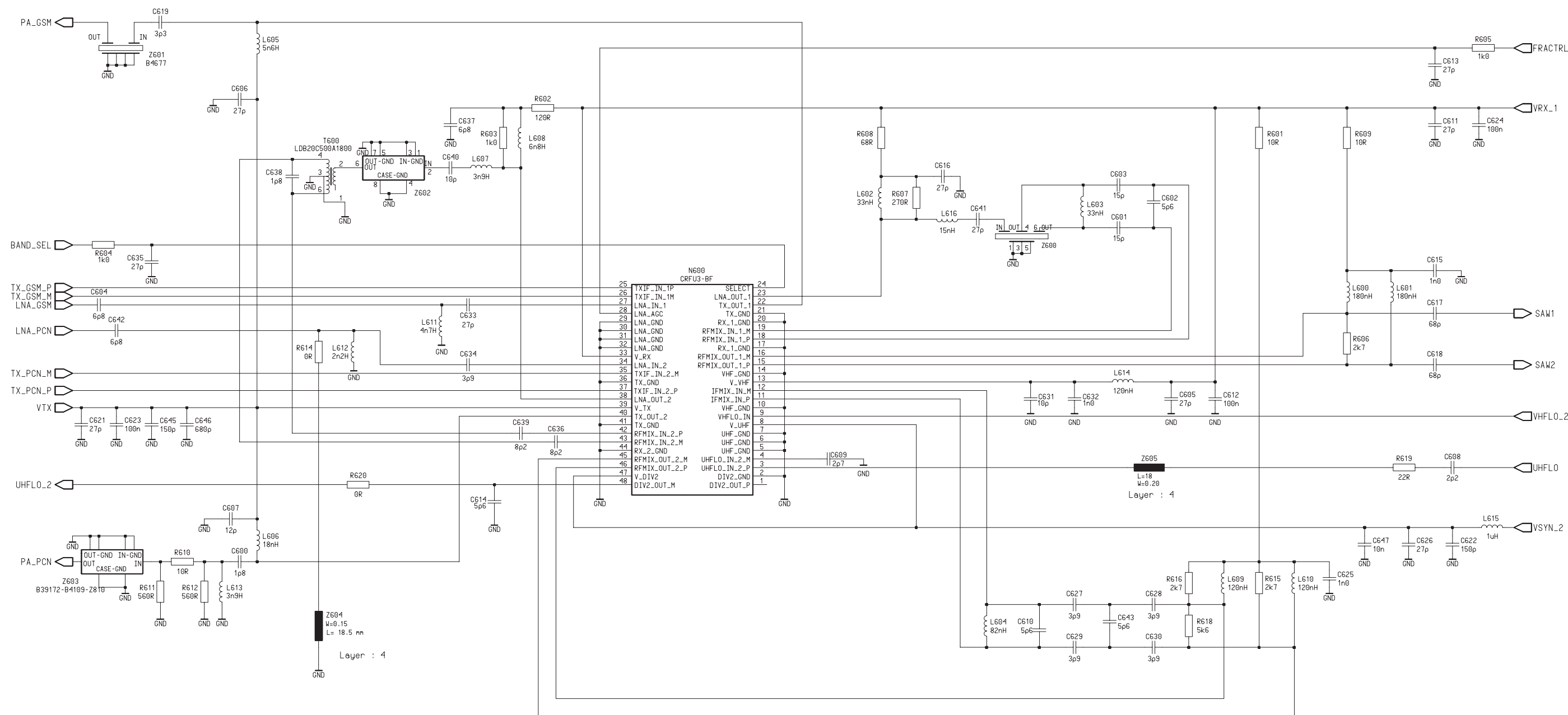


- R356
- R350 - R358
- C350 - C356
- V350 - V351
- N350
- D350



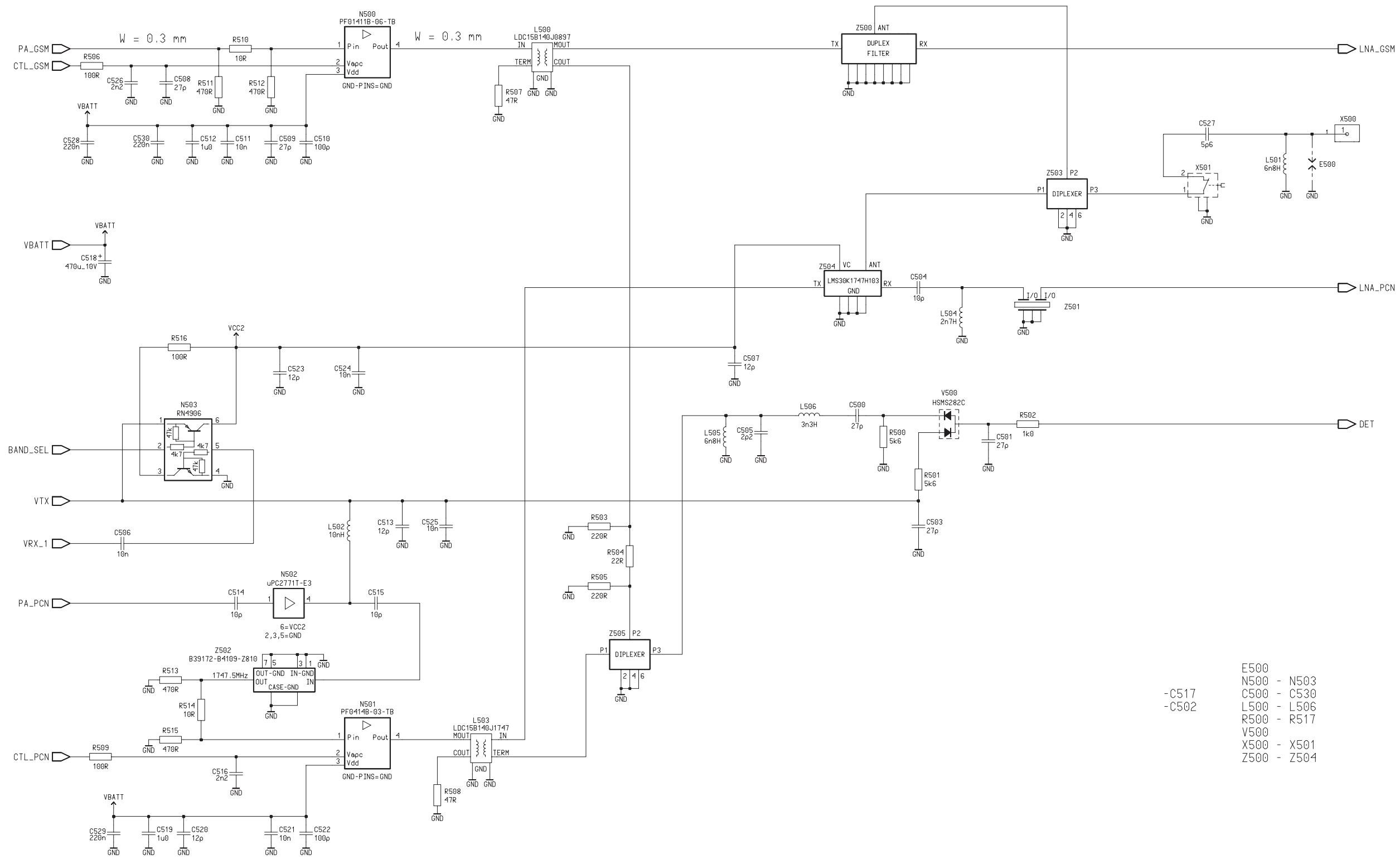
F100	E100 - E119
G100	R100 - R150
B100	C100 - C176
M100	L100 - L104
V100	V100 - V117
J101	N100 - N101
X100	X100 - X102
Z100	Z100 - Z104
-V114	-V115
-R138	-R133
	-L101

CRFU3



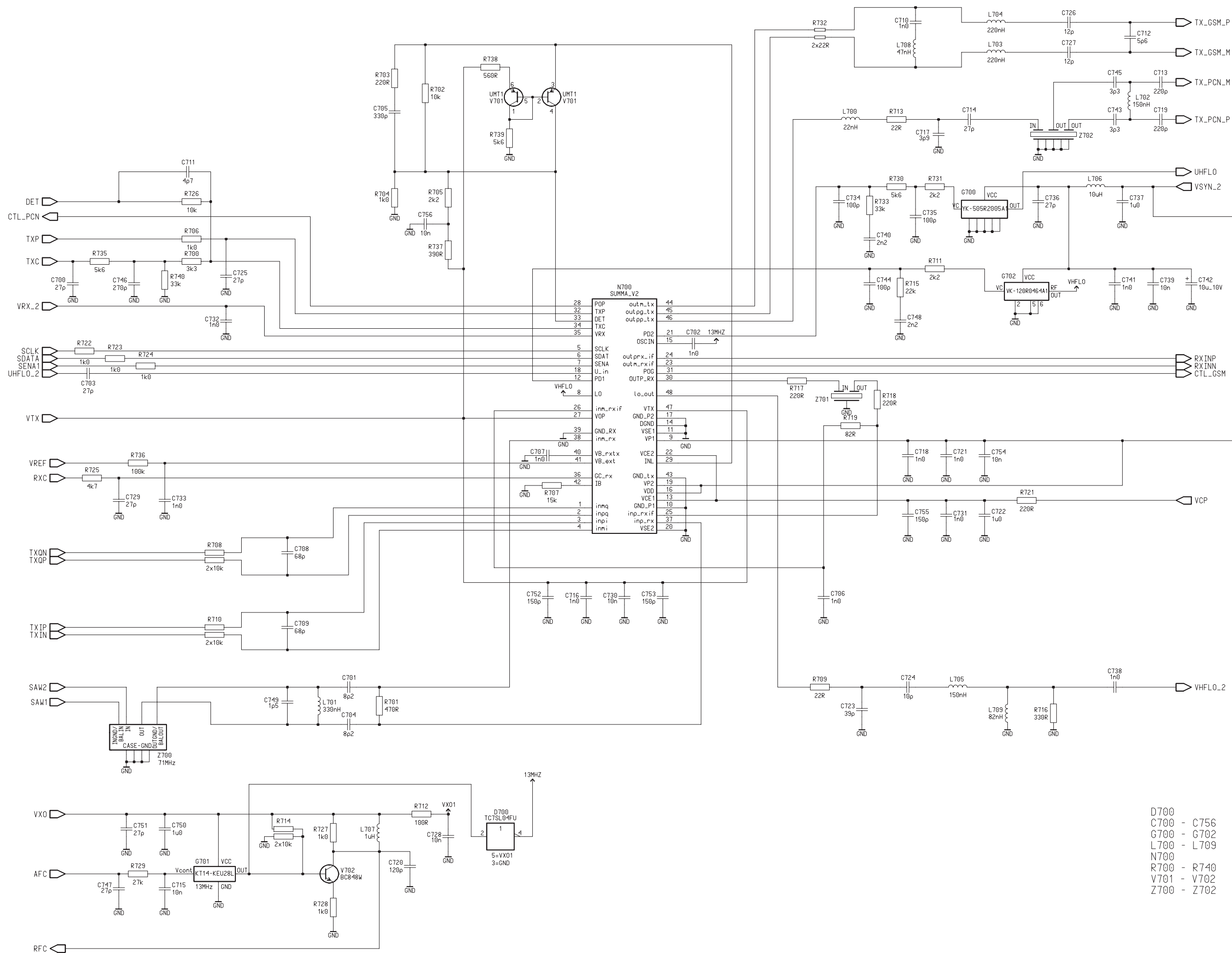
- C644 -C620 C600 - C647
- L600 - L617 L600 - L617
- N600
- R617 -R613 R601 - R619
- Z600 - Z605
- T600
- (A600 - A602)

PA



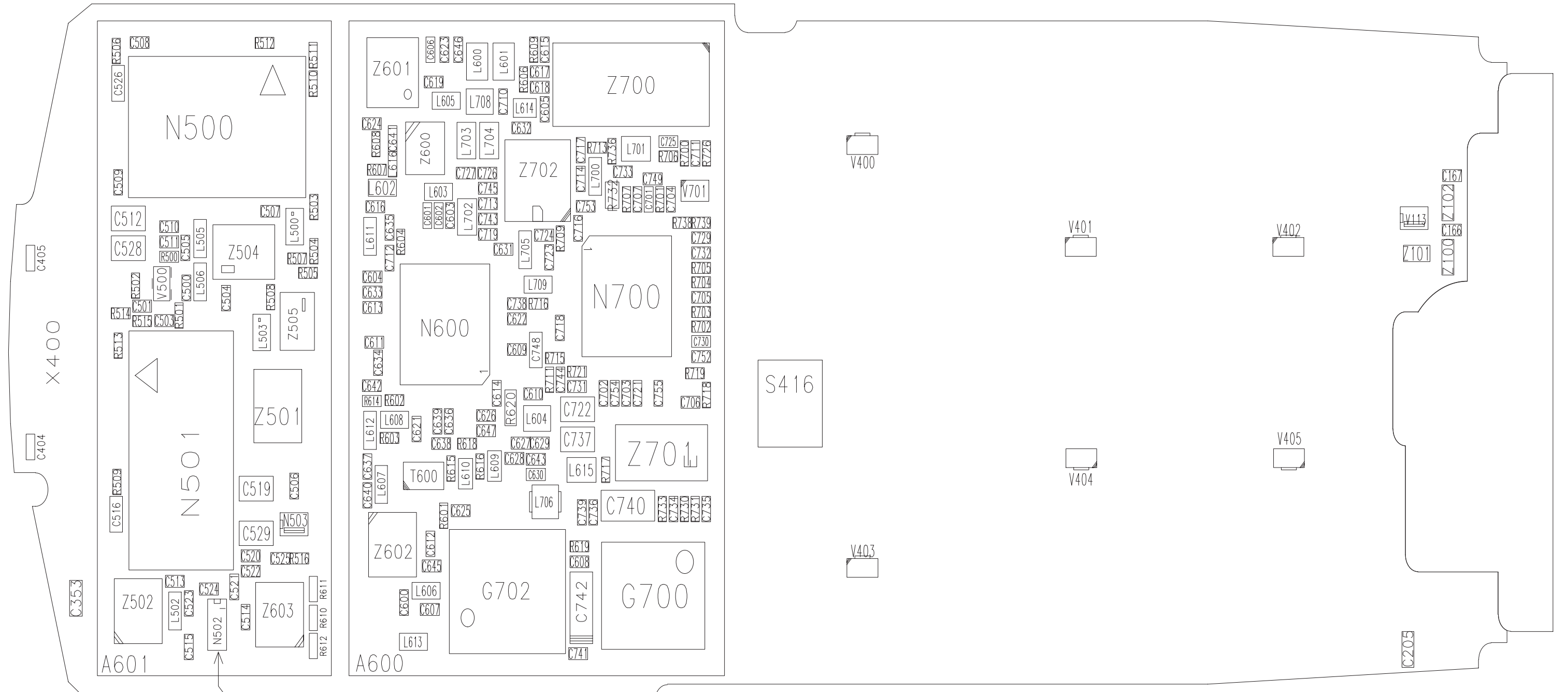
- E500
- N500 - N503
- C500 - C530
- L500 - L506
- R500 - R517
- V500
- X500 - X501
- Z500 - Z504

SUMMA



- D700
- C700 - C756
- G700 - G702
- L700 - L709
- N700
- R700 - R740
- V701 - V702
- Z700 - Z702

Component Layout - Top



SEE DOT ON THE BOTTOM SIDE OF COMPONENT

